

# QLA-2000-10000-30-40

## 2~10GHz, 30dB, 4dB

Features:  
 \* Broad Band  
 \* Low Noise

Applications:  
 \* Wireless  
 \* Receiver  
 \* Laboratory Test  
 \* Radar

### Electrical

|                      |              |
|----------------------|--------------|
| Frequency:           | 2~10GHz      |
| Gain:                | 30dB min.    |
| Gain Flatness:       | ±1dB max.    |
| Output Power (P1dB): | 15dBm min.   |
| Noise Figure:        | 4dB max..    |
| Input VSWR:          | 2 max.       |
| Output VSWR:         | 2 max.       |
| Voltage:             | +12V DC typ. |
| Current:             | 200mA max.   |
| Impedance:           | 50Ω          |

### Mechanical

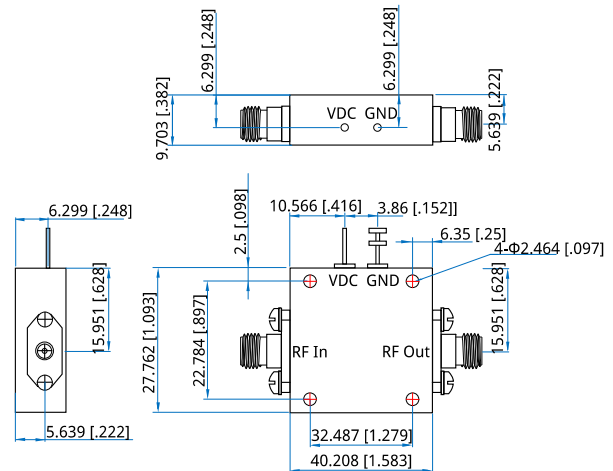
|                      |                                              |
|----------------------|----------------------------------------------|
| Size <sup>*1</sup> : | 40.208*27.762*9.703mm<br>1.583*1.093*0.382in |
| RF Connectors:       | SMA Female                                   |
| Mounting:            | 4-Φ2.464mm through-hole                      |

[1] Exclude connectors.

### Environmental

|                            |           |
|----------------------------|-----------|
| Operating Temperature:     | -54~+70°C |
| Non-operating Temperature: | -55~+85°C |

### Outline Drawings



Unit: mm [in]  
 Tolerance: ±0.2mm [±0.008in]

### How To Order

**QLA-2000-10000-30-40**

Customization is available upon request.